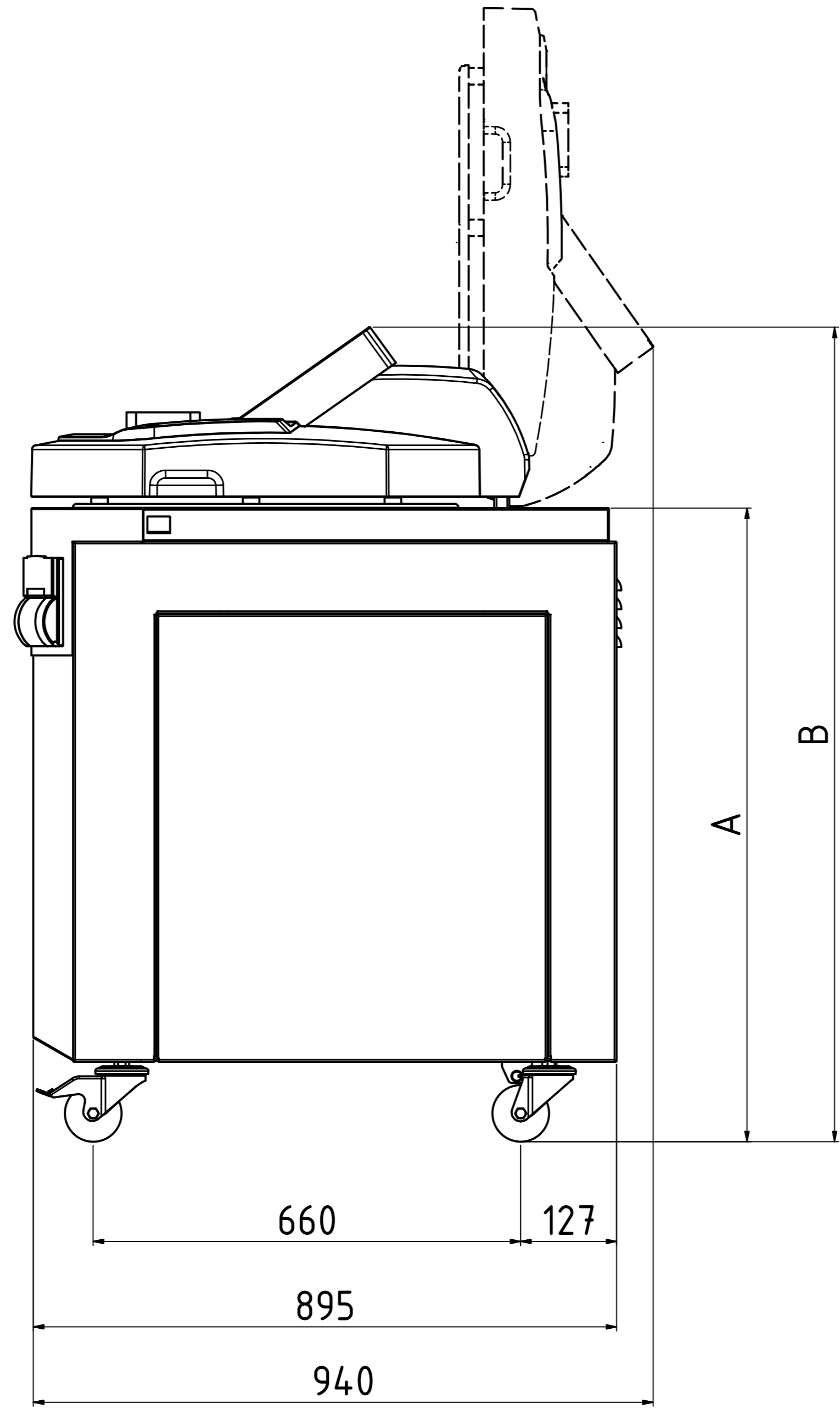
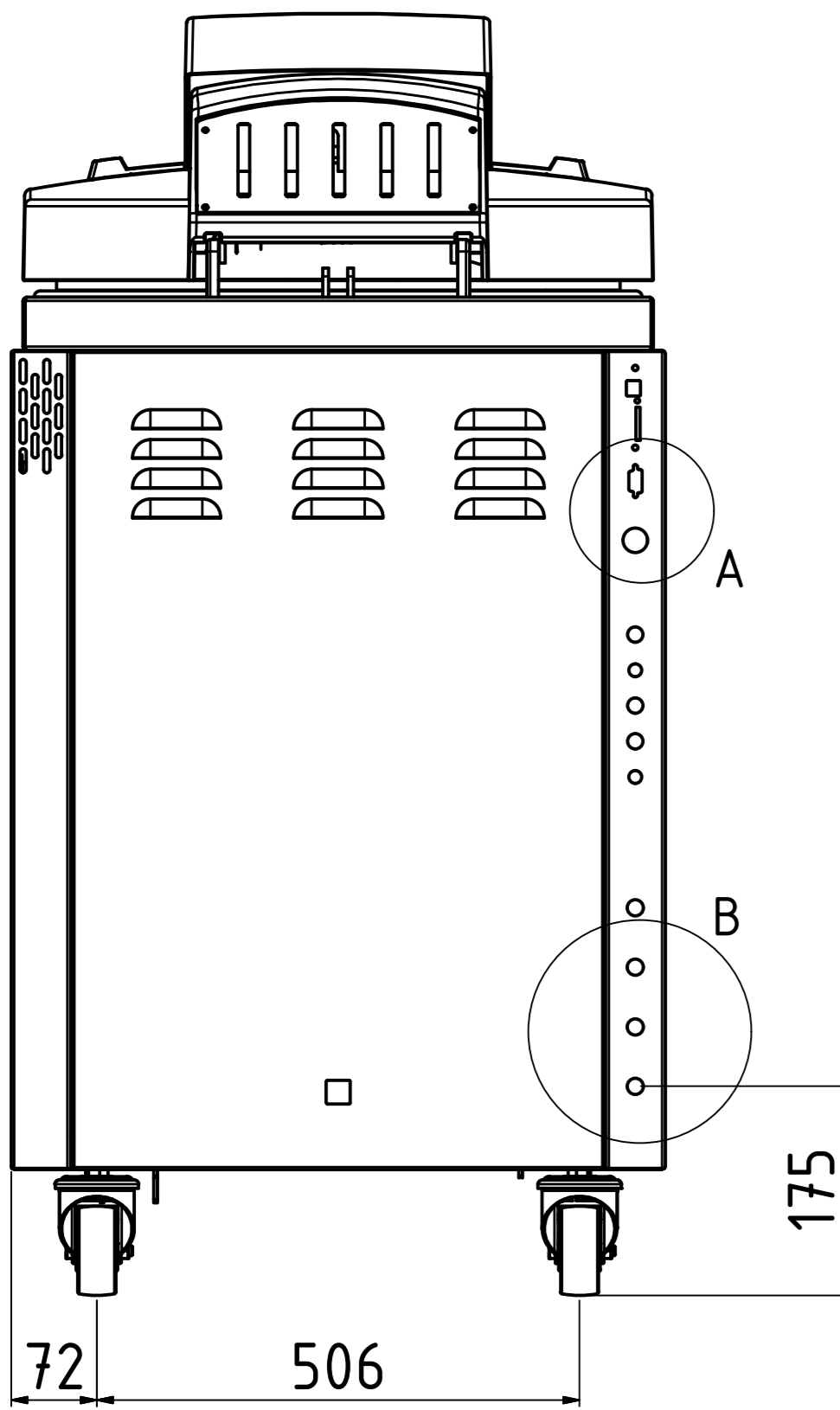
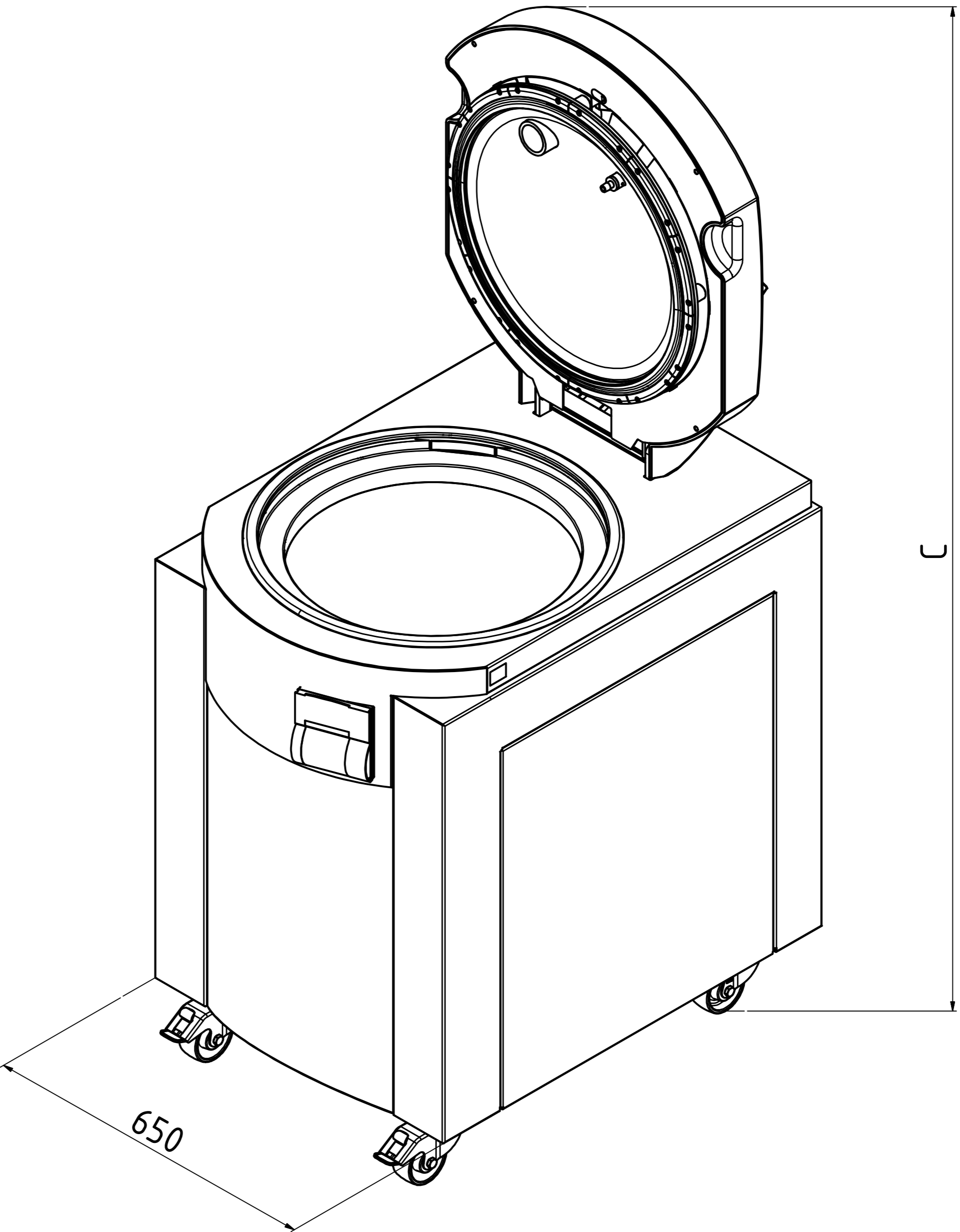
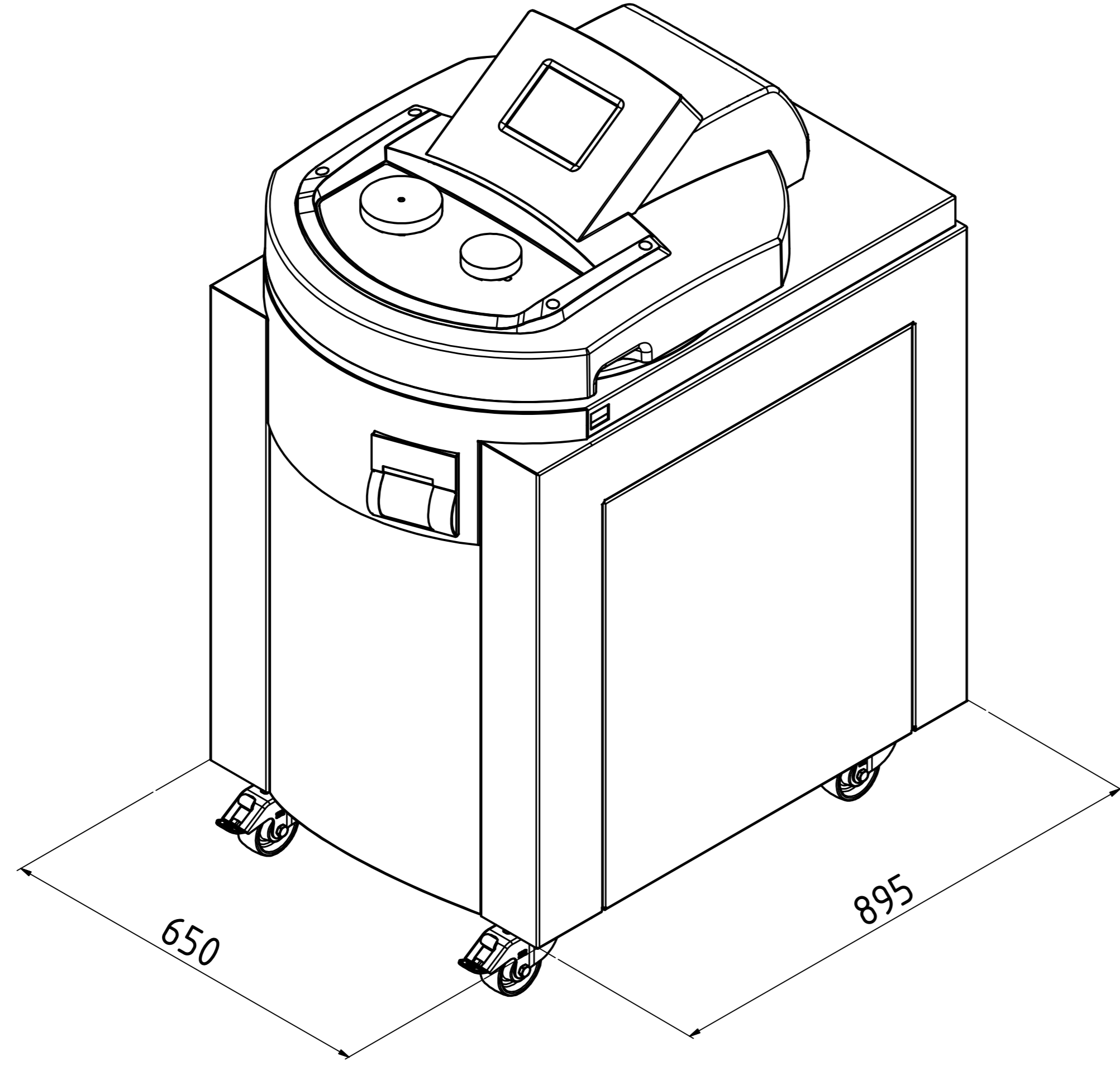


# Systemec Mediaprep-90 / Mediaprep-120

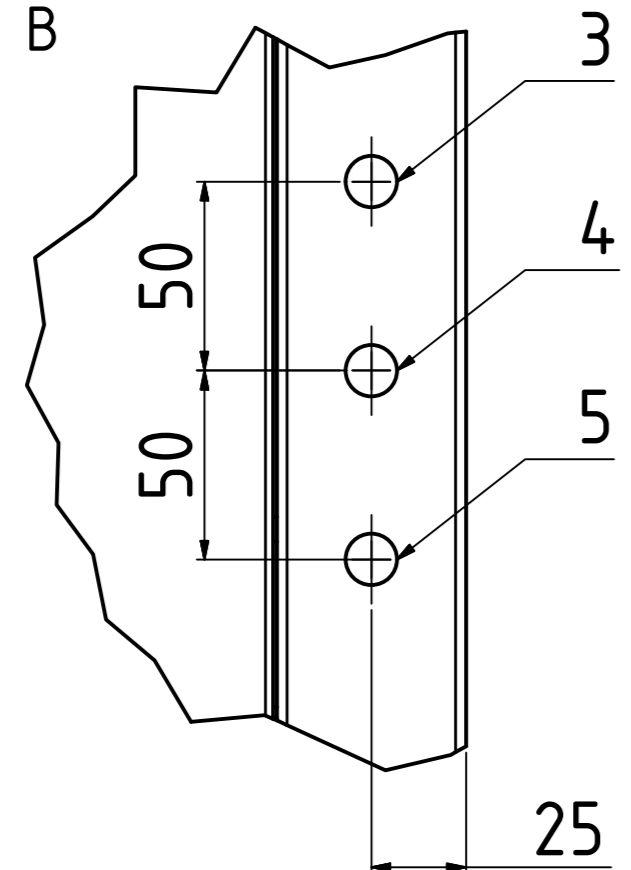
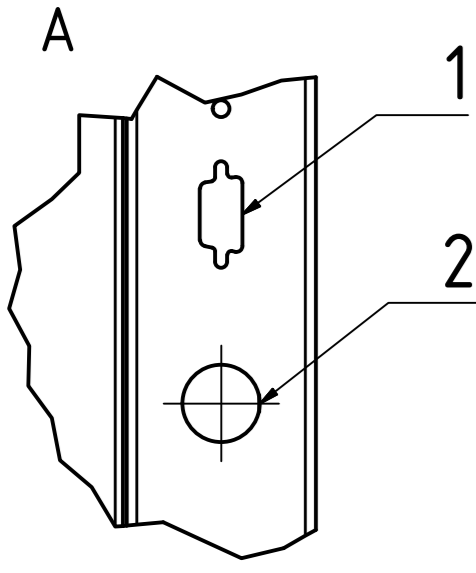


Technical data				
No.	Description	Size	Mediaprep	Comments
1	Interface		X	RS-232 (Ethernet Netzwerk and USB compatible)
2	Power supply*		X	3x400V+N+PE / 32Ampere / CEE socket
3	Demineralized water* <sup>3</sup>	Quick-release coupling	X	3/4 external thread on site, ≥ 1bar water pressure Σ alkaline earth ions < 0,02 mmol/l, conductivity 0,1 - 15 µS/cm
4	Tap water* <sup>3</sup>	Quick-release coupling	X	3/4 external thread on site, ≥ 1bar water pressure Σ alkaline earth ions ≤ 2,0 mmol/l, conductivity max. 300 µS/cm, 11°dH, 200mg/l CaCO3
5	Drain	Quick-release coupling	X	Temperature-resistant installation (103°C in case of failure) Temperature controlled at 70°C (setable)

	Art.No.	A	B	C	Heat emission	Net weight	Test weight* <sup>2</sup>
Systemec Mediaprep-90	1790	870	1110	1650	< 800 Watt/h	200 kg	326 kg
Systemec Mediaprep-120	1820	1000	1240	1780	< 800 Watt/h	220 kg	382 kg

X = Standard    0 = Optional    -- = Not Available    Length dimensions in mm

\* Other voltages available on request  
 \*<sup>2</sup> Test weight: Chamber completely filled with water for pressure test  
 \*<sup>3</sup> The included hose is required 3/4" external thread on site



Systemec	Art.Nr.	Date	Name	Zeichnung	ISO 2768 T1-m	Maßstab	Werkstoff	Gewicht	
					20/10/2016		Systemec Mediaprep-90 / Mediaprep-120		
Systemec							Zng.-Nr.: AZ 1790 EN	Rev.: 0	1
We are exclusive company								A0	