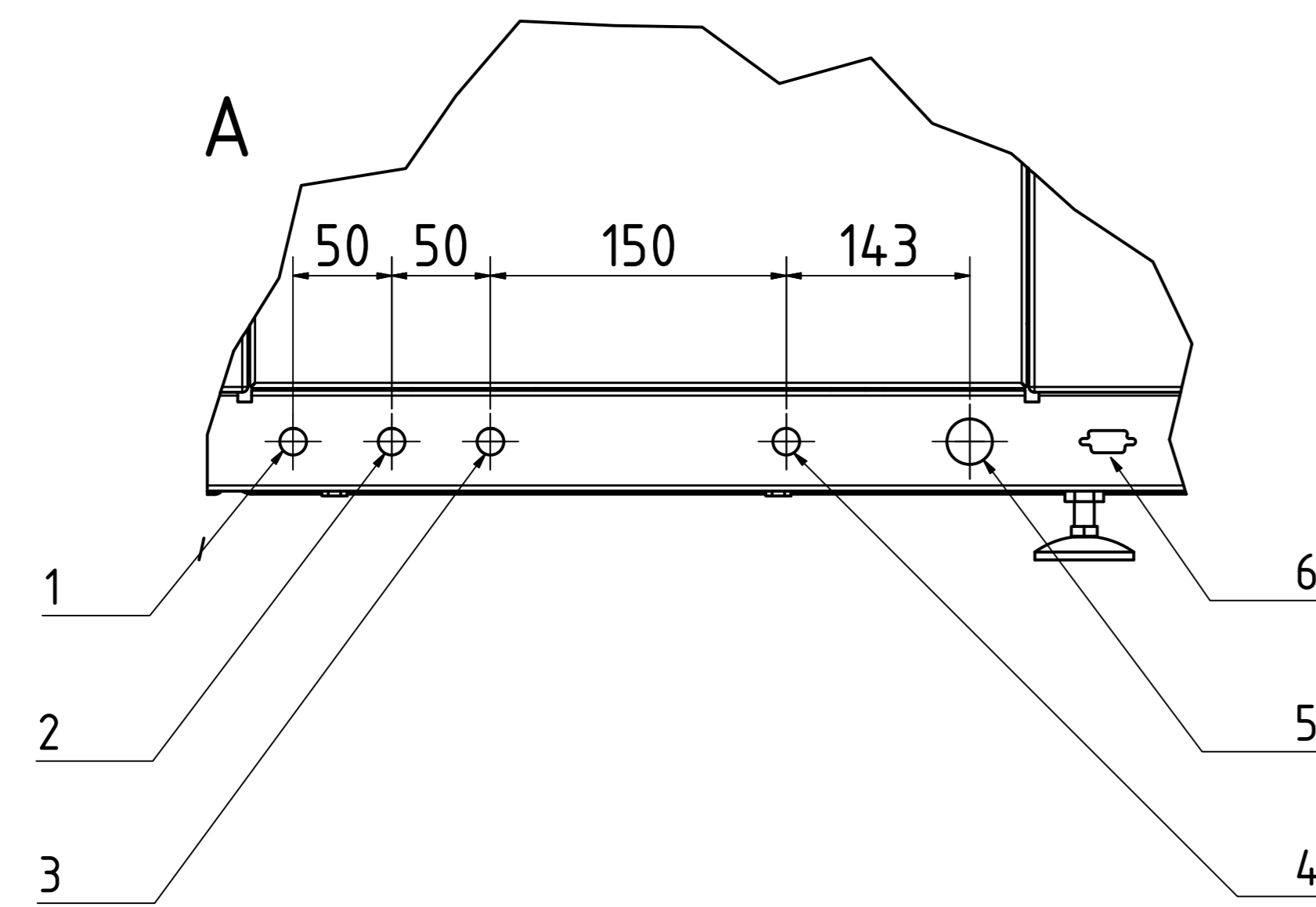
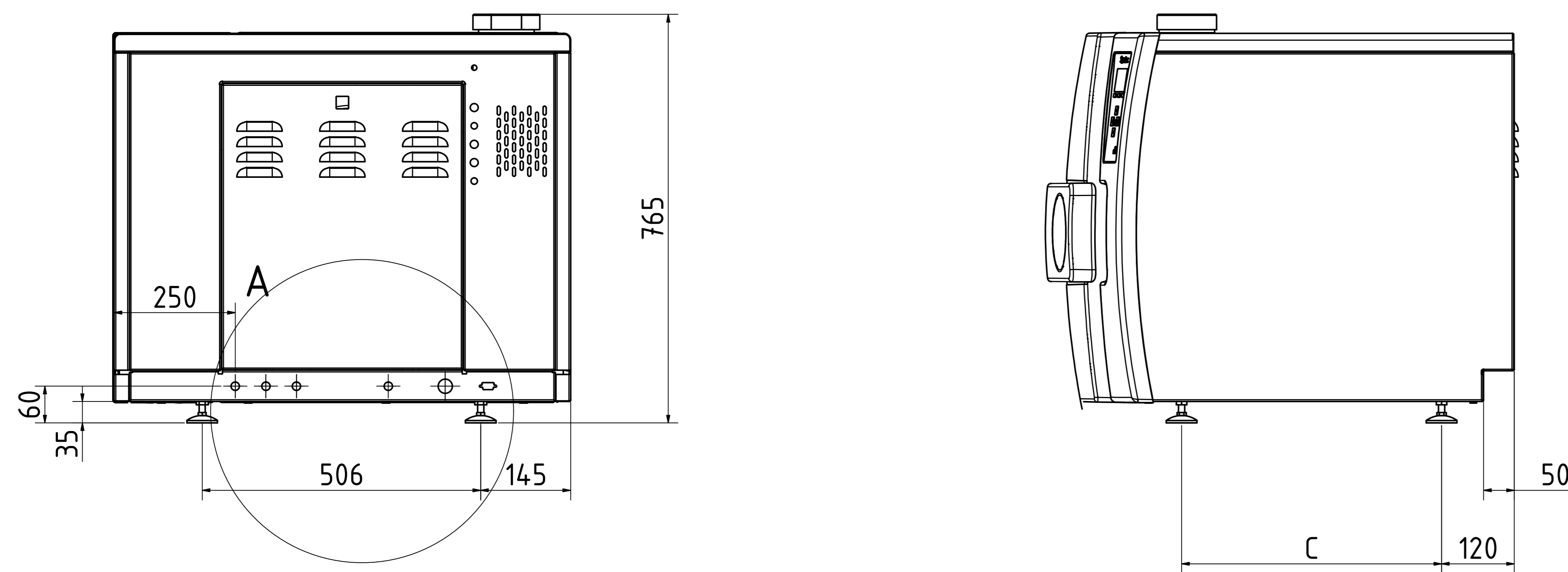
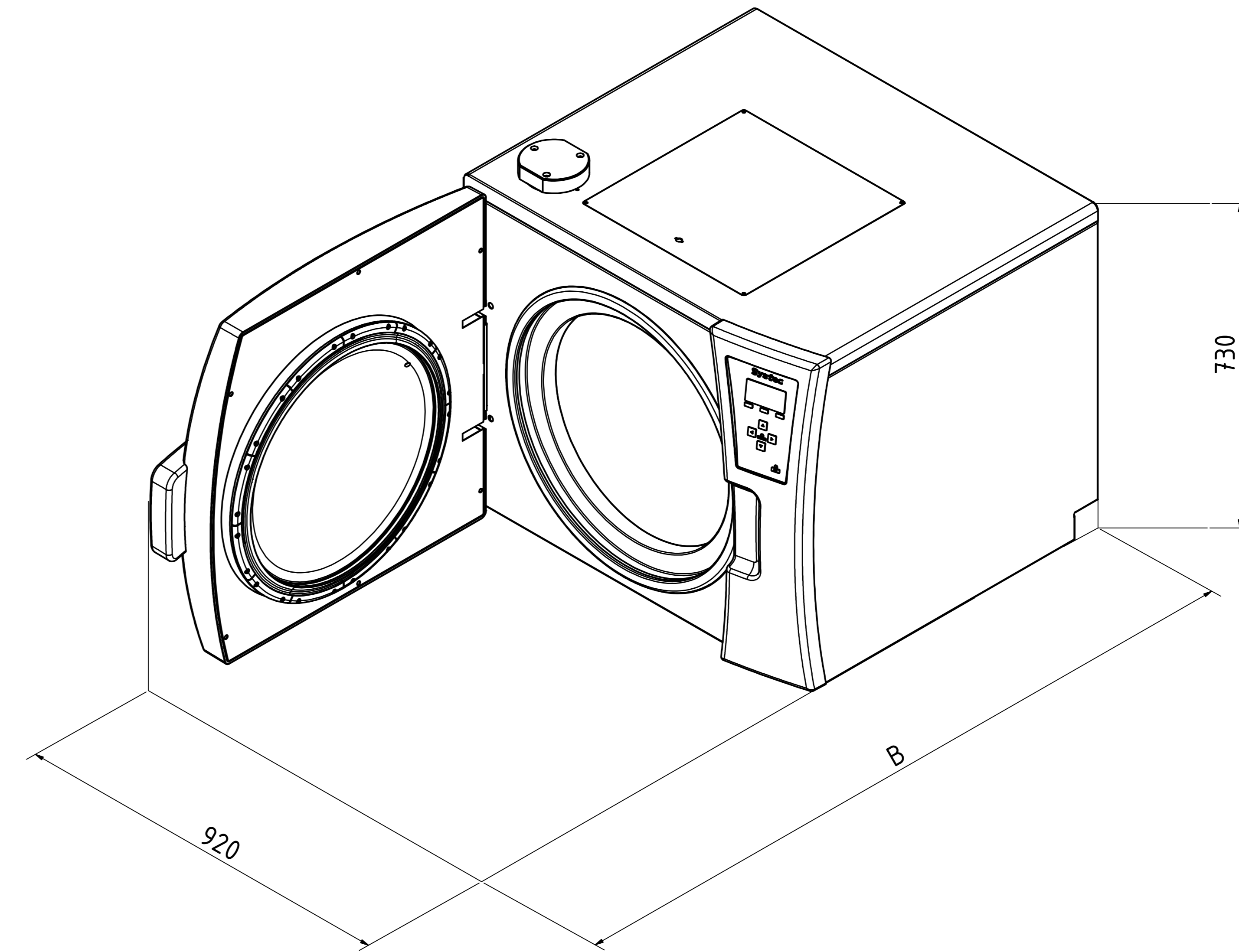
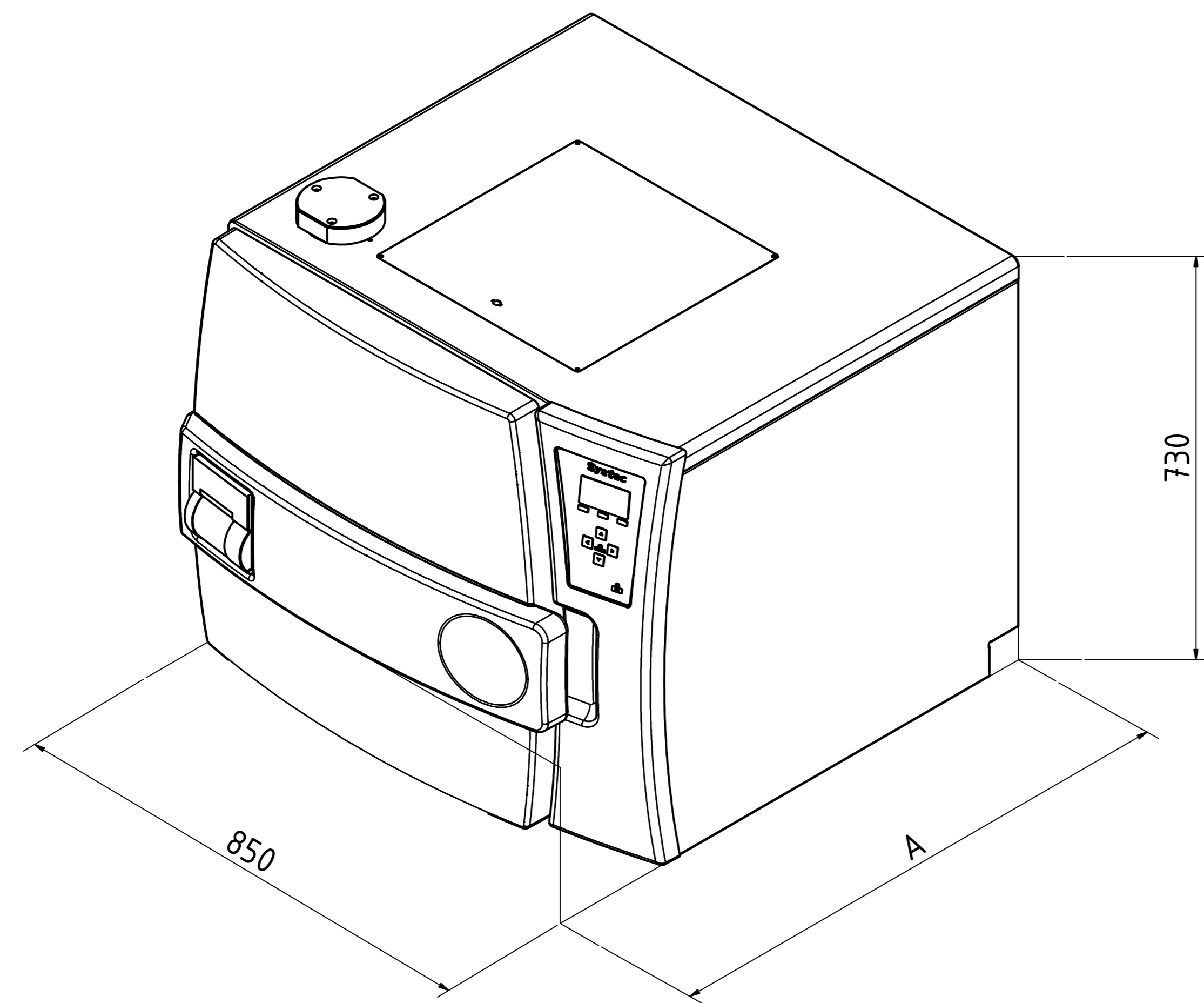


Systemec D-100 / D-150 / D-200



Technical data						
No.	Description	Size	DX	DE	DB	Comments
1	Tap water*	3/4" ET	X	X	--	≥ 1bar water pressure Σ alkaline earth ions ≤ 2,0 mmol/l, conductivity max. 300 µS/cm, 11°dH, 200mg/l CaCO3
2	Deminerlized water*	3/4" ET	X	X	--	≥ 1bar water pressure Σ alkaline earth ions < 0,02 mmol/l, conductivity: 0,1 - 15 µS/cm
3	Compressed air	NW 7,2	0	0	--	min. 3-10bar / 50l/min., ≤ Class 4 according to DIN ISO 8573, Only with "water cooling with support pressure"
4	Drain	3/4" ET	X	X	X	Systemec DX and Systemec DE Temperature-resistant installation (103°C in case of failure) Temperature is controlled at 70°C (setable) Systemec DB Temperature-resistant installation up to 103°C No controlled temperature, Drain height max. ≤ 40cm above the floor
5	Power supply* ²		X	X	X	3x400V+N+PE / 50/60Hz / 16 Ampere / CEE socket
6	Interface		X	X	--	RS-232 / RS-485 (Ethernet network and USB compatible)

	Art.No.: DX	Art.No.: DE	Art.No.: DB	A	B	C	Heat emission	Net weight	Test weight* ³
Systemec D-100	2100	1600	1940	805	1395	421	<700 Watt/h	165 kg	265 kg
Systemec D-150	2150	1650	1950	1055	1645	671	<800 Watt/h	190 kg	340 kg
Systemec D-200	2201	1700	1960	1305	1895	921	<900 Watt/h	210 kg	410 kg

X = Standard 0 = Optional -- = Not Available Length dimensions in mm

* Other media connections available on request

*² Other voltages and single-phase available on request

*³ Test weight: chamber completely filled with water for pressure test

Contact area of the feet: 1963.5mm² per foot - Total 7854mm² for 4 pieces (Ø50mm)

ISO 2768 T1-m	ISO 2768 T1-m	ISO 2768 T1-m	ISO 2768 T1-m	ISO 2768 T1-m	ISO 2768 T1-m	ISO 2768 T1-m	ISO 2768 T1-m	ISO 2768 T1-m	ISO 2768 T1-m
Systemec D-Ø500									
Systemec the automotive company								Zng.-Nr.: AZ 2100 EN	Rev.: 1 / A0