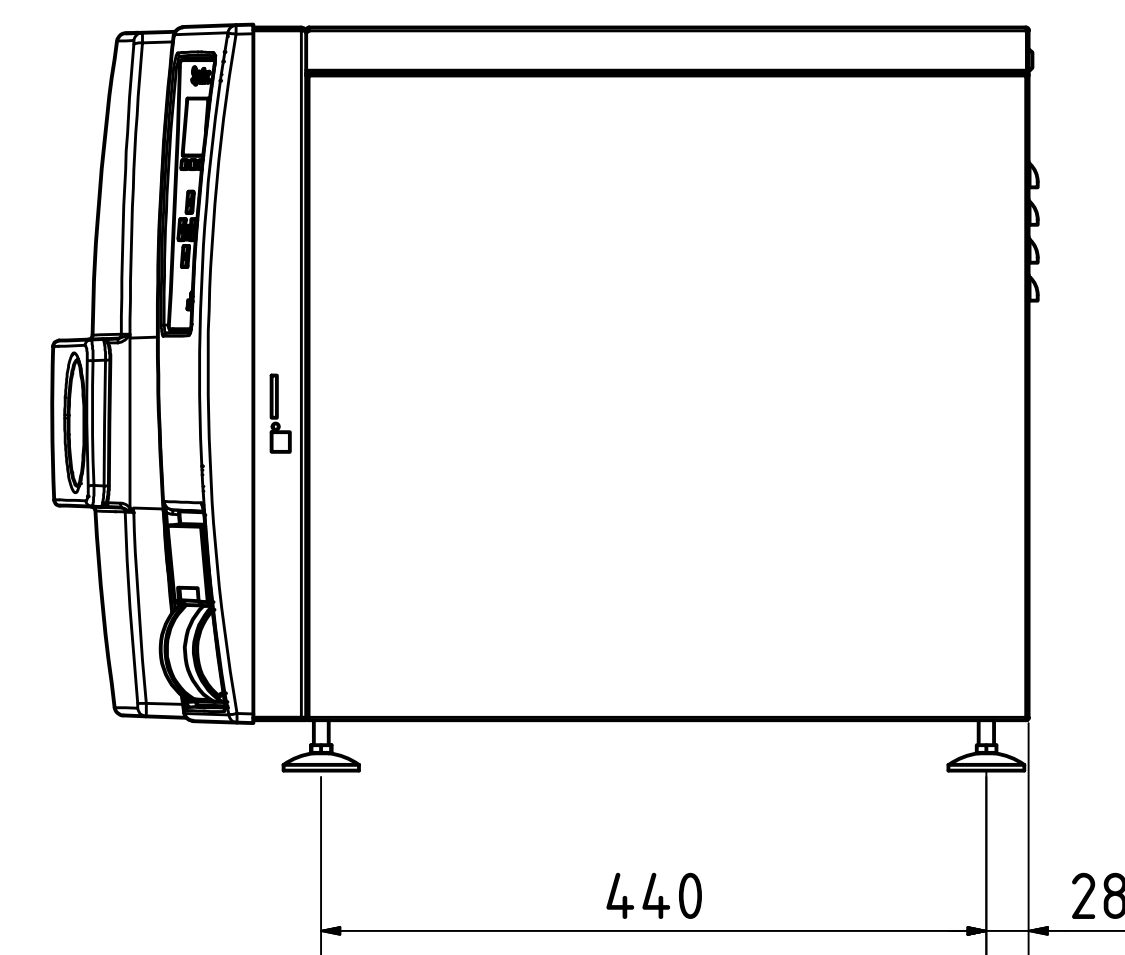
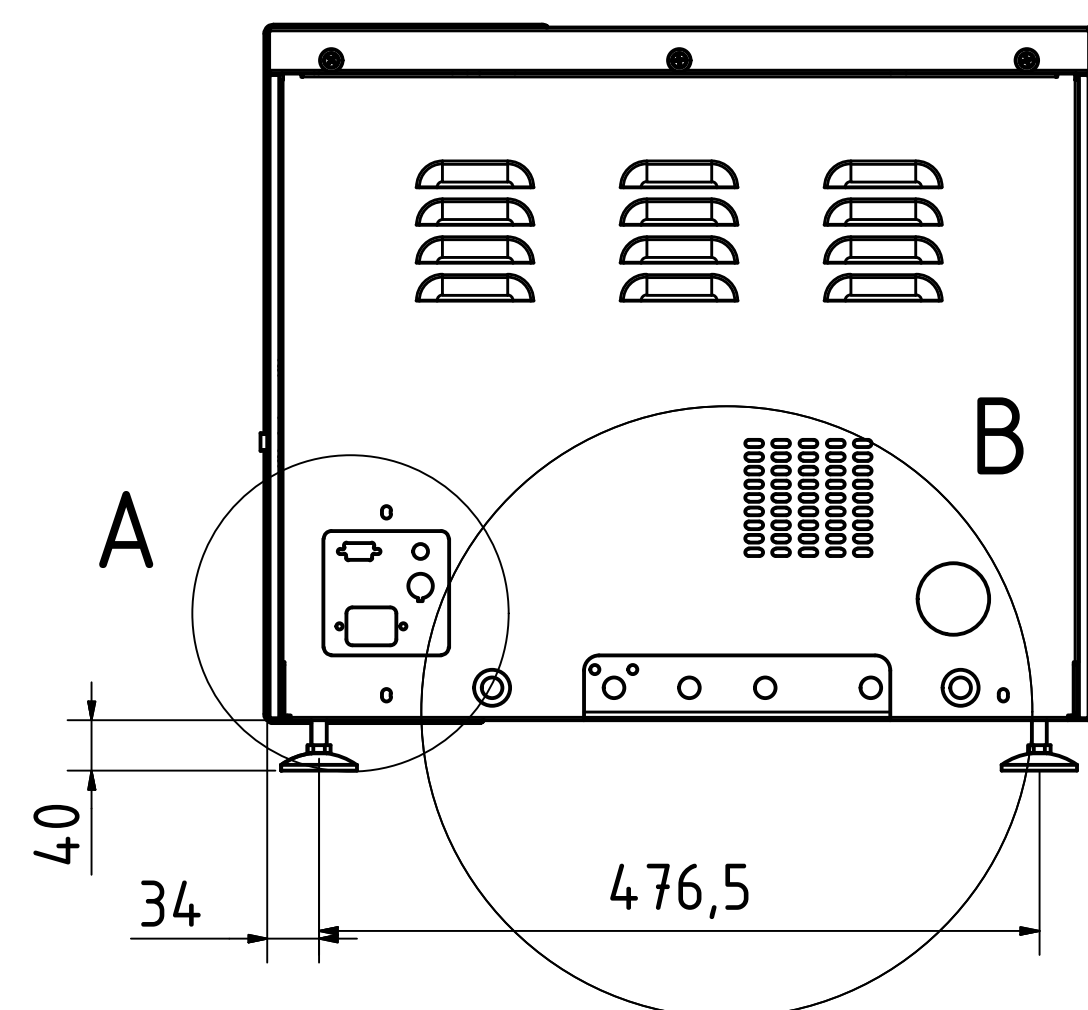
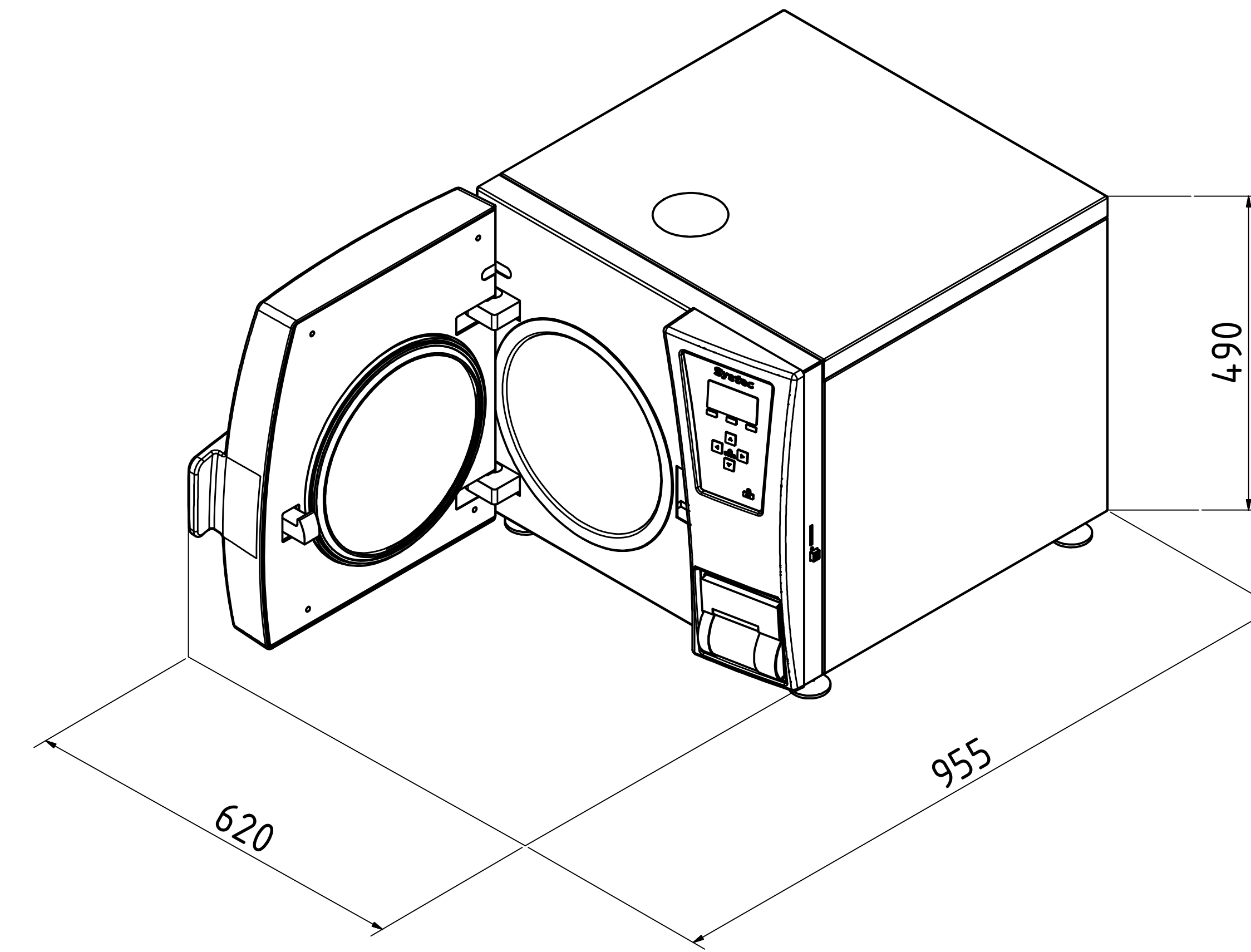
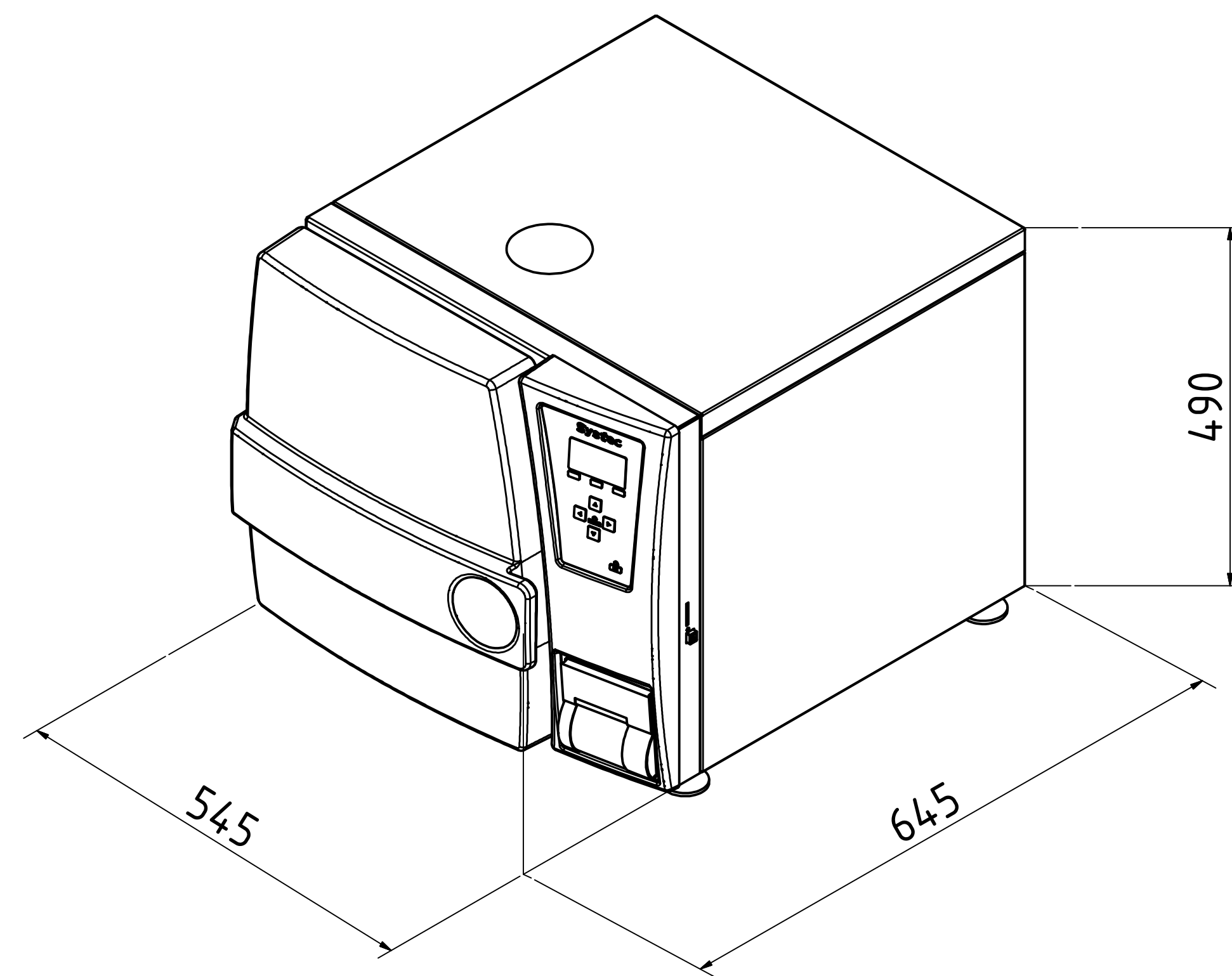
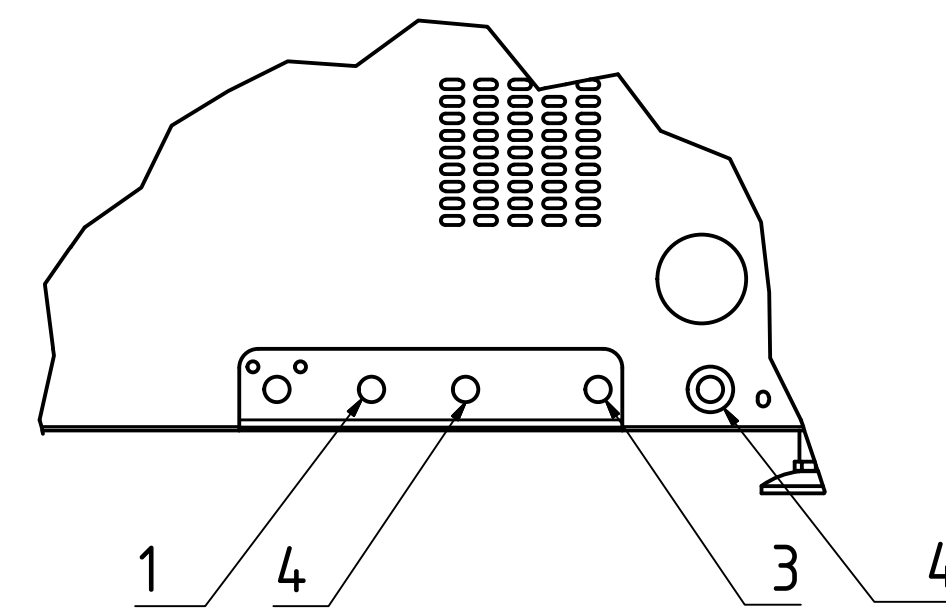


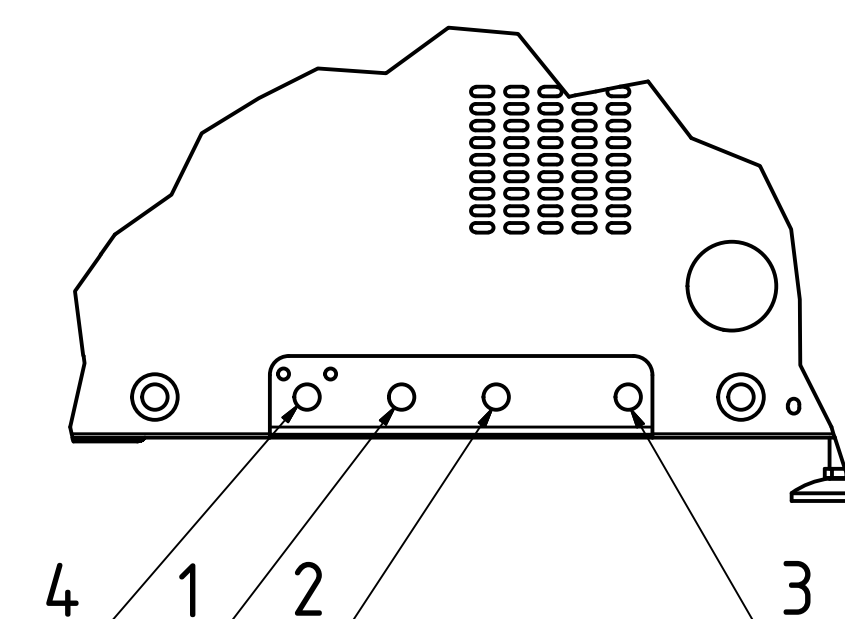
# Systemec D-23



B2 (Systemec DB / Systemec DE)



B1 (Systemec DX)



| Technical data |                            |         |    |    |    | Comments  |
|----------------|----------------------------|---------|----|----|----|---|
| No.            | Description                | Size    | DX | DE | DB |   |
| 1              | Tap water*                 | 3/4" ET | X  | X  | -- | ≥ 1bar water pressure<br>Σ alkaline earth ions ≤ 2,0 mmol/l, conductivity max. 300 µS/cm, 11°dH, 200mg/l CaCO3  |
| 2              | Demineralized water*       | 3/4" ET | X  | 0  | -- | ≥ 1bar water pressure<br>Σ alkaline earth ions < 0,02 mmol/l, conductivity: 0,1 - 15 µS/cm  |
| 3              | Compressed air             | NW 7,2  | 0  | 0  | -- | min. 3-10bar / 50l/min., ≤ Class 4 according to DIN ISO 8573,<br>Only with "water cooling with support pressure"  |
| 4              | Drain                      | 3/4" ET | X  | X  | X  | Systemec DX and Systemec DE<br>Temperature-resistant installation (103°C in case of failure)<br>Temperature is controlled at 70°C (setable)<br>Systemec DB<br>Temperature-resistant installation up to 103°C<br>No controlled temperature, Drain height max. ≤ 40cm above the floor |
| 5              | Interface                  |         | X  | X  | -- | RS-232 / RS-485 (Ethernet Network and USB compatible)   |
| 6              | Power supply* <sup>2</sup> |         | X  | X  | X  | 1x230V+N+PE / 50/60Hz / 16 Ampere / CEE 7/4 socket, Type F  |

|               | Art.No.: DX | Art.No.: DE | Art.No.: DB | Heat emission | Net weight | Test weight* <sup>3</sup> |
|---------------|-------------|-------------|-------------|---------------|------------|---------------------------|
| Systemec D-23 | 1923        | 1523        | 1900        | <400 Watt/h   | 80 kg      | 103 kg                    |

X = Standard    0 = Optional    -- = Not Available    Length dimensions in mm

\* Other media connections available on request

\*<sup>2</sup> Other voltages available on request

\*<sup>3</sup> Test weight: chamber completely filled with water for pressure test

Contact area of the feet: 1963.5mm<sup>2</sup> per foot - Total 7854mm<sup>2</sup> for 4 pieces (Ø50mm)

|                                    |                         |                   |                     |         |
|------------------------------------|-------------------------|-------------------|---------------------|---------|
| General tolerance<br>ISO 2768 T1-m | Surface<br>Ra 12.5/25µm | Material<br>Zn-Al | Scale<br>1:1        | Weight  |
| Date                               | Signature               | Stamp             | Revision            | Weight  |
|                                    |                         |                   | Systemec D-23       |         |
|                                    |                         |                   | Zng-Nr.: AZ 1923 EN | Rev.: 1 |
|                                    |                         |                   |                     | A0      |