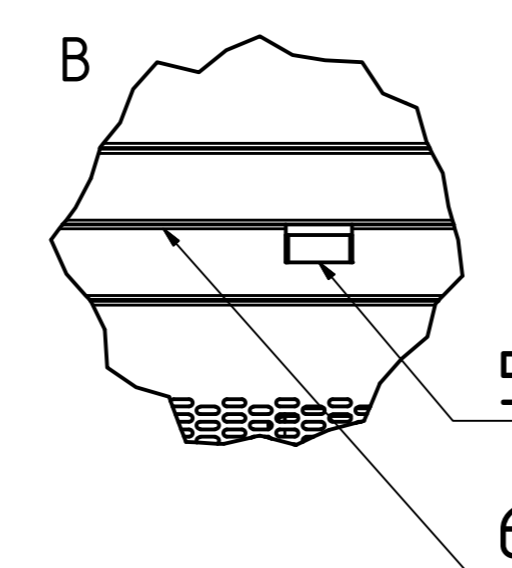
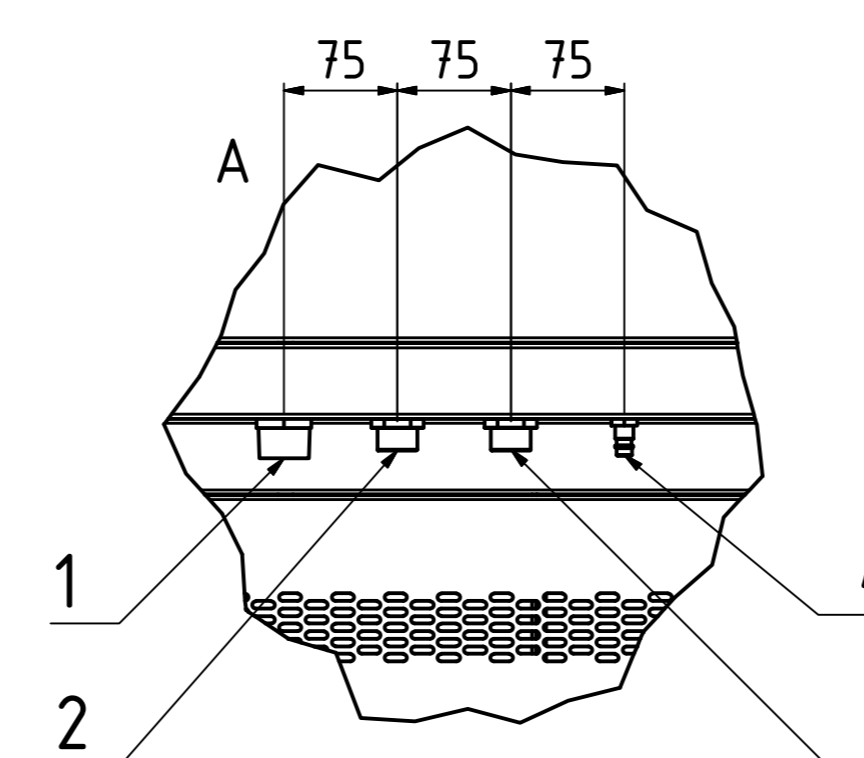
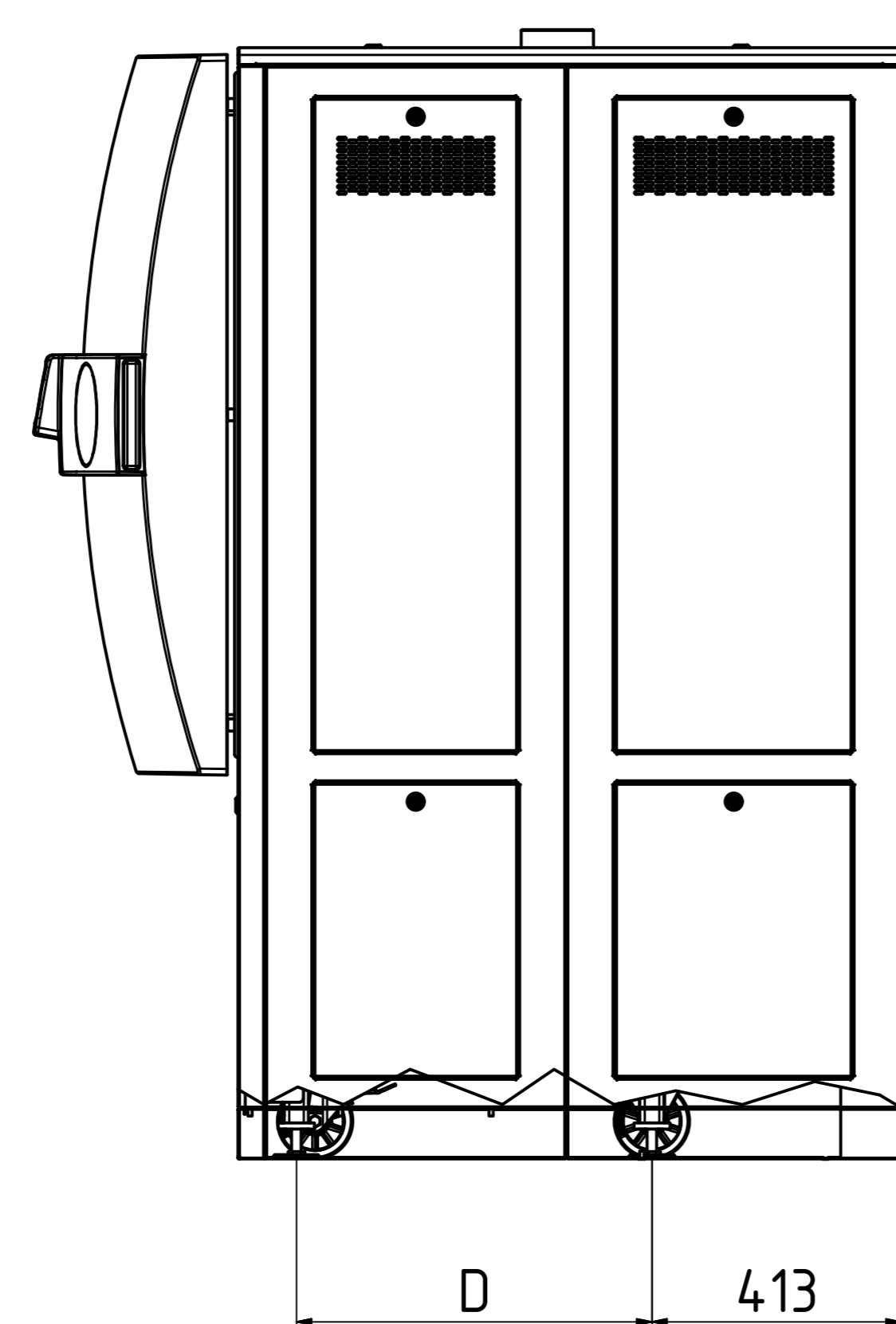
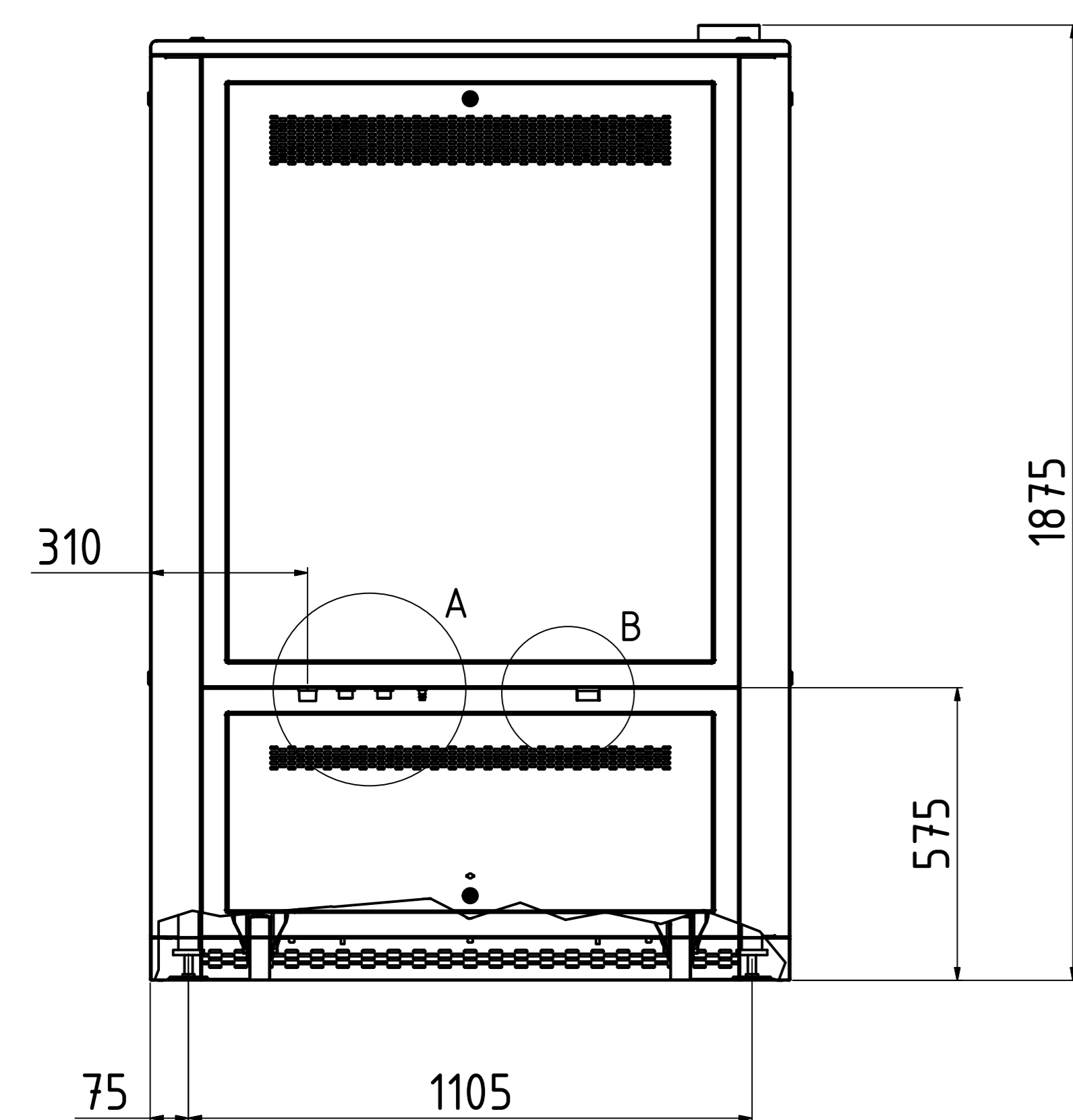
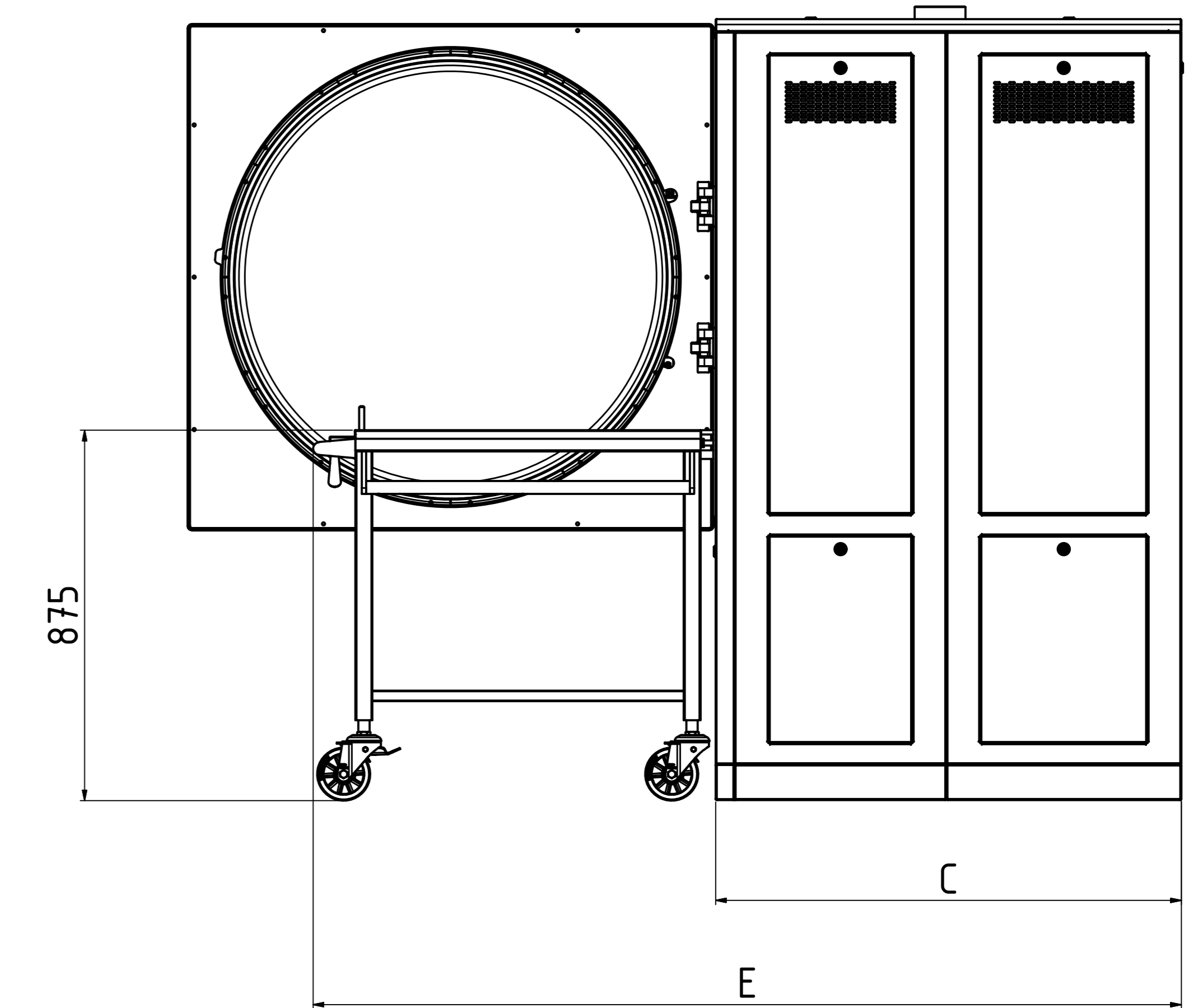
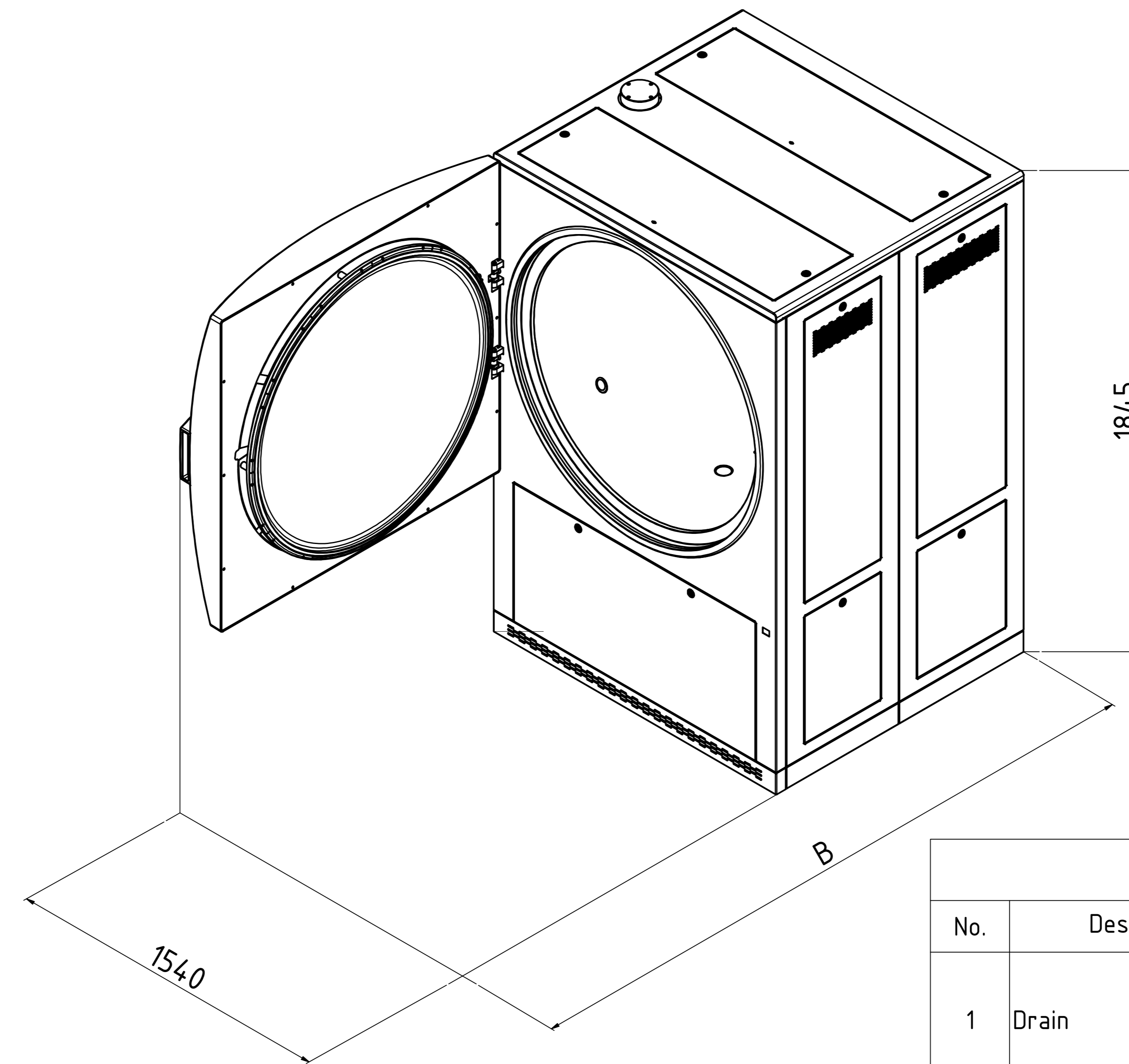
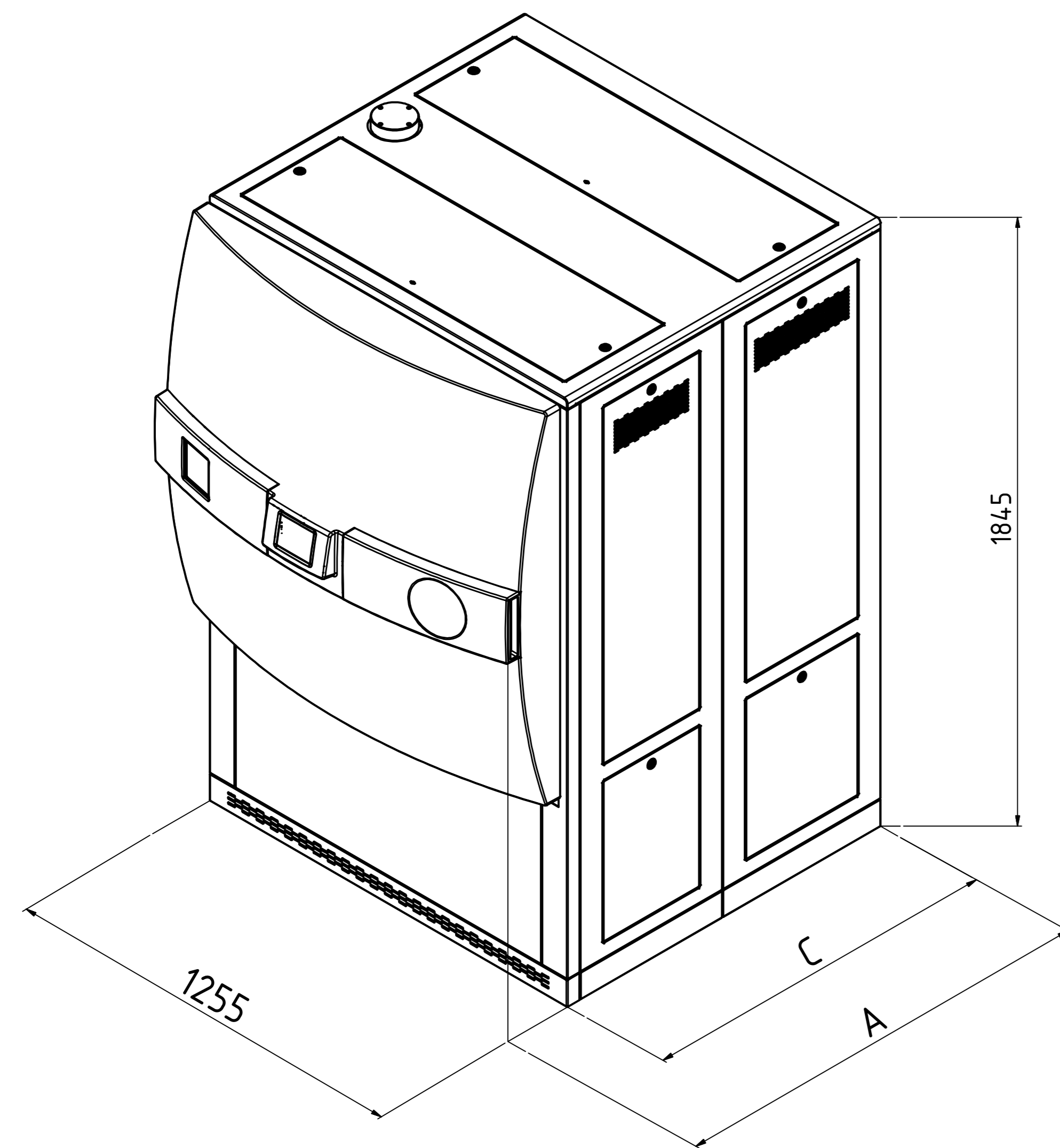


System HX-580 / HX-780 / HX-980 HX-1180 / HX-1380 / HX-1580



Technical data

No.	Description	Size	HX	Comments
1	Drain	1" ET	X	Temperature-resistant installation (103°C in case of failure) Temperature controlled at 70°C (setable) Drain height max. ≤ 40cm above the floor
2	Tap water*	3/4" ET	X	≥ 1bar water pressure Σ alkaline earth ions ≤ 2,0 mmol/l, conductivity max. 300 μS/cm, 11°dH, 200mg/l CaCO3
3	Demineralized water*	3/4" ET	X	≥ 1bar water pressure Σ alkaline earth ions < 0,02 mmol/l, conductivity: 0,1 - 15 μS/cm
4	Compressed air	NW 7,2	X	min. 7-10bar / 500l/min., ≤ Class 4 according to DIN ISO 8573
5	Power supply* ²		X	3x400V+N+PE / 50/60Hz / 63 Ampere / CEE socket
6	Interface		X	RS-232 / RS-485 (Ethernet network and USB compatible)

	Art.-No.:	A	B	C	D	E	Heat emission	Net weight	Test weight* ³
System HX-580	2270	1440	2350	1100	590	2050	<1800 Watt/h	ca.810 kg	ca.1565 kg
System HX-780	2280	1690	2600	1350	840	2550	<2000 Watt/h	ca.850 kg	ca.1800 kg
System HX-980	2290	1940	2850	1600	1090	3050	<2200 Watt/h	ca.920 kg	ca.2070 kg
System HX-1180	2300	2190	3100	1850	1340	3550	<2400 Watt/h	ca.990 kg	ca.2335 kg
System HX-1380	2310	2440	3350	2100	1590	4050	<2600 Watt/h	ca.1050 kg	ca.2590 kg
System HX-1580	2320	2690	3600	2350	1840	4550	<2800 Watt/h	ca.1110 kg	ca.2845 kg

X = Standard 0 = Optional -- = Not Available Length dimensions in mm

* Other power and media connections available on request

*² Other voltages available on request

*³ Test weight: chamber completely filled with water for pressure test

Contact area of the feet: 5026,5mm² per foot - Total 20106mm² for 4 pieces (Ø80mm)

Allgemein- toleranz ISO 2768 T1-m Datum Gezeichnet Gezeichnet Gezeichnet Gezeichnet	Oberfläche Werkstoff: Bemerkung System HX-Ø1000	Maßstab: Zng.-Nr.: AZ 2270 EN Rev.: 1	Gewicht: 1 A0
--	--	---	---------------------